



Specifications

Description

- * Model No: 80101
- * S.S Construction
- * Single Handle
- * Fitting list:

1. Knitted Hose
2. Fixed Gasket
3. O-ring
4. Rubber / Stainless Steel Washer
5. Base Plate

Ceramic Cartridge

Water Flow

It is Limited to These Maximum Flow Rates as Indicated By The Corresponding Product Markings

- * North America: 1.5gpm(5.7L/min) Max at 60psi
- * California: 1.2gpm (4.5L/min) Max at 60psi

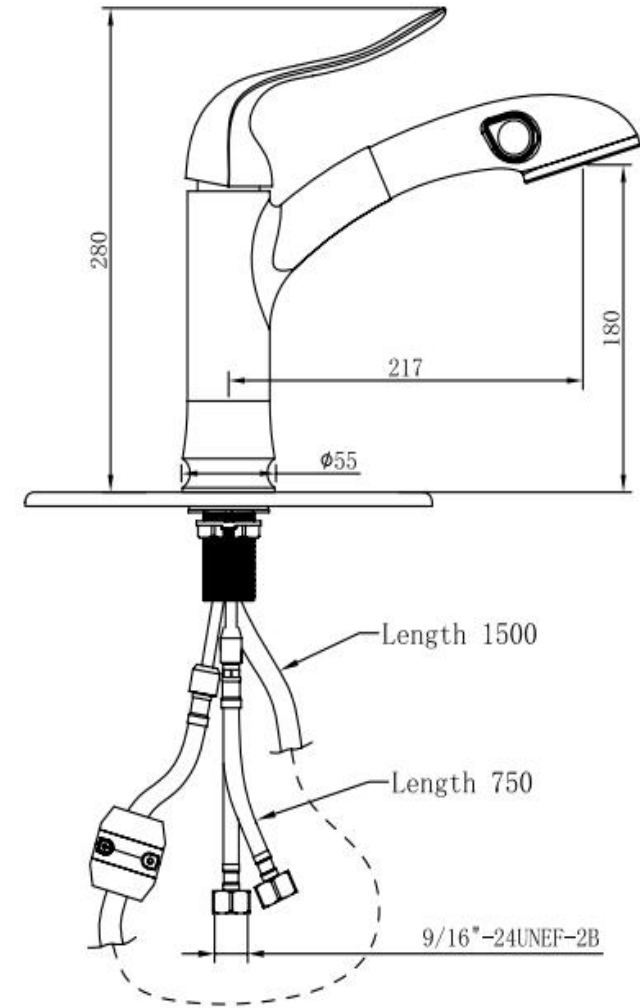
Warranty

- * 5 Years Warranty in Commercial Installation Use
- * Lifetime Limited Warranty Against Leaks, Drips.

CUPC Certified passed

Certical Dimensions

Installation Hole : 1.4"(35mm)



Different Handle, Plate and Spray For Choose :

The suffixes of "*" represents different meanings as follows:

| | |
|--|---|
| Kitchen Faucet: | |
| The first "*" means different Handles: | H01, H02, H03, H04, H05, |
| The second "*" means different Deckplates: | D01, D02, D03, D04, D05 |
| The third "*" means different Sprayer: | S01, S02, S03, S04, S05, S06, S07, S08, S09, S10, S11, S12, |
| The fourth "*" means different finishes: | CP---Chrome plating ; BN---Brush Nickel ORB---Oil Rubbed Bronze |

