



Description

- * Model No: 90112-****
- * Brass Construction
- * With two function, tub spout and handheld shower

Hand shower hose:

304 stainless steel.
Universal extension does not tie
High temperature resistant

Faucet base

Brass tripod base keep the faucet firm
We have three expansion screws which will keep the faucet firm

Ceramic Cartridge

CUPC Certified passed

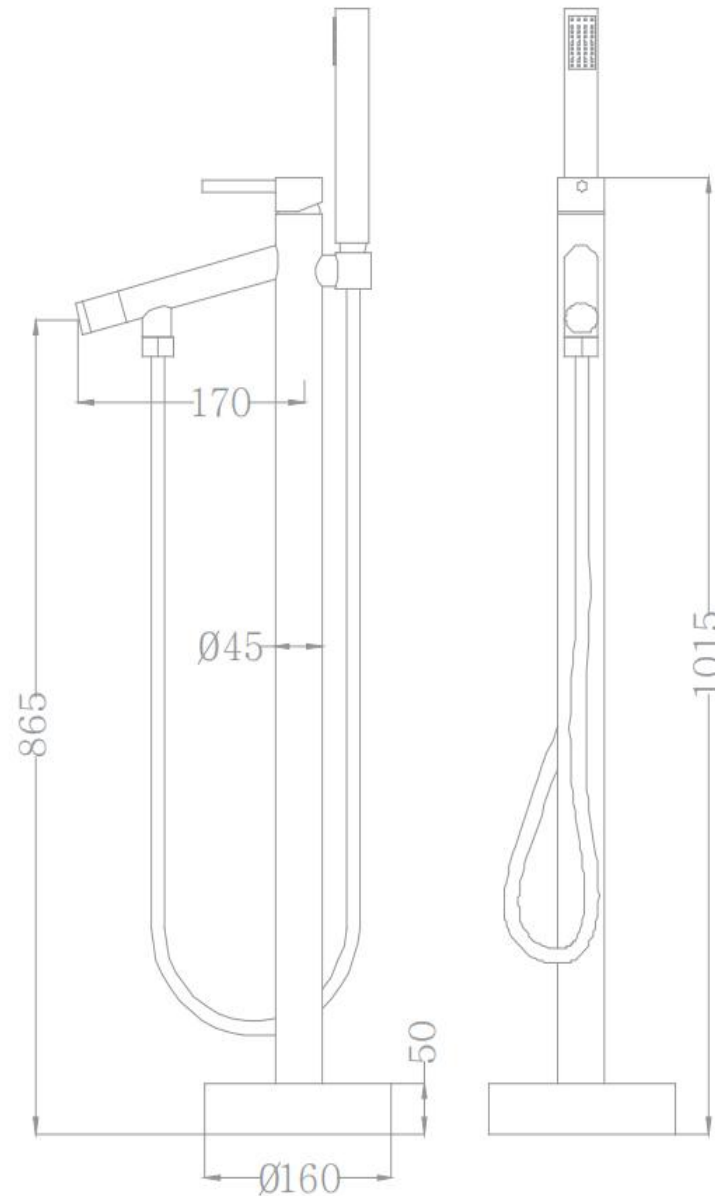
Hot and Cold Waterlines:

1. Customizable length and diameter
2. Plated copper fittings and stainless steel sleeves
3. Flexible: hoses are proven to be more flexible than the conventional
4. High pressure resistance up to 100 bar
5. 100% tested
6. Antibacterial compliant with applicable standards

Warranty

- * 5 years warranty in commercial installation use
- * lifetime limited warranty against leaks, drips.

Specifications



Install Guide of Floor Filler

1. Embedded inlet joint, cold and hot water inlet in about 15°



2. Wrap the PTFE tape around the joint and tighten the joint (lay the tile after embedding)



3. Position with a tripod and use a drill to mark off the reserved screw holes.



4. fixing the tripod in the lower straight pipe



5. Install the high-pressure pipe



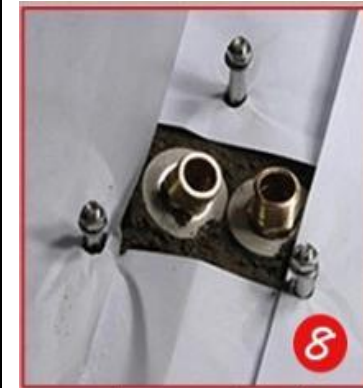
6. Set of decorative plate



7. Connect the main body of the faucet and tighten the high-pressure pipe and the faucet inlet.



8. Put the screws into the pre-drilled hole



9. Connect the main body of the tap with the pre-embedded water inlet and tighten the



10. Insert the main body of the faucet into the screws and tighten the screws



11. Put down the decoration tray



12. The installation is complete

