



## Description

- \* Model No: 80128-\*\*\*\*
- \* S.S Construction
- \* Single Handle
- \* With Red/Blue Indicators for Hot / Cold Water
- \* Fitting list:
  1. Base plate
  2. Knitted Hose
  3. Fixed Gasket
  4. O-ring
  5. Rubber / Stainless Steel Washer

## Ceramic Cartridge

## Water Flow

It is Limited to These Maximum Flow Rates as Indicated By The Corresponding Product Markings

- \* North America: 1.5gpm(5.7L/min) Max at 60psi
- \* California: 1.2gpm (4.5L/min) Max at 60psi

## Warranty

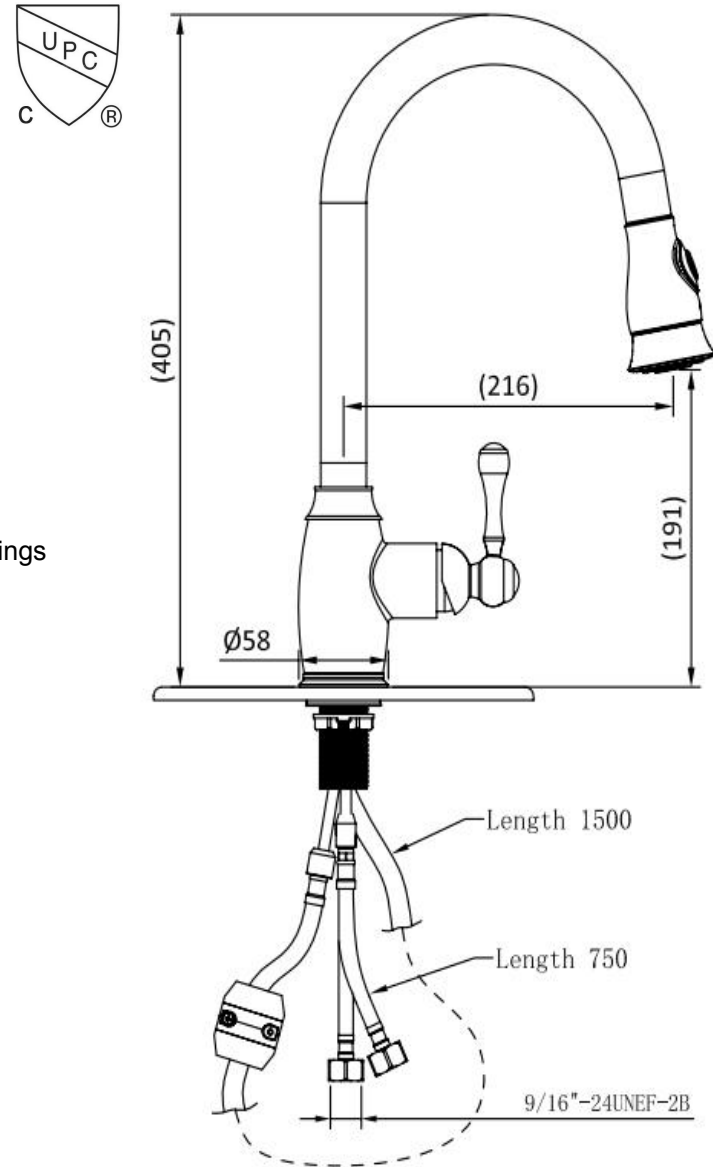
- \* 5 Years Warranty in Commercial Installation Use
- \* Lifetime Limited Warranty Against Leaks, Drips.

## CUPC Certified passed

## Certical Dimensions

Hose length: 1500mm&750mm  
Installation Hole : 1.18"(30mm)

# Specifications



## Different Handle, Plate and Spray For Choose :

The suffixes of "\*" represents different meanings as follows:

Kitchen Faucet:	
The first "*" means different Handles:	H01, H02, H03, H04, H05,
The second "*" means different Deckplates:	D01, D02, D03, D04, D05
The third "*" means different Sprayer:	S01, S02, S03, S04, S05, S06, S07, S08, S09, S10, S11, S12,
The fourth "*" means different finishes:	CP---Chrome plating ;      BN---Brush Nickel ORB---Oil Rubbed Bronze

